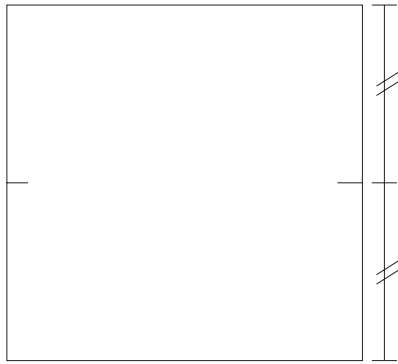


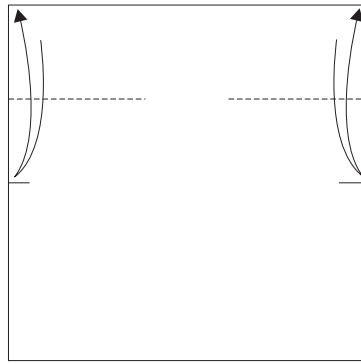
# Creaseless, centered hexagon

1



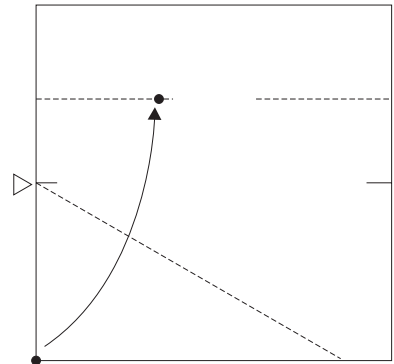
Mark centres


2



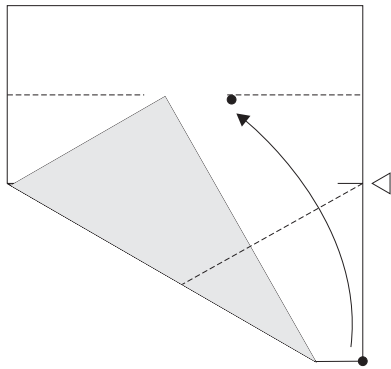
Crease quarter line gently, leaving a small gap in centre

3



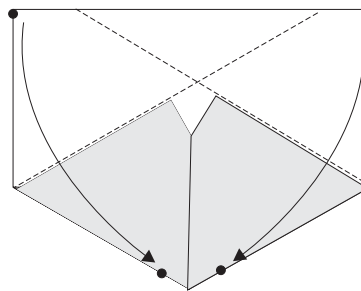
Using  as a swivel, fold corner up to quarter line.

4



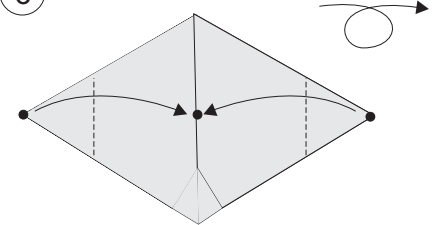
Matching fold

5



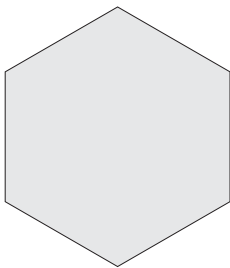
corresponding folds from top corners

6



Fold corners to centre. These triangles can be used to lock a liner into a hexagonal box such as Tomoko Fuse's.

7



Finished hexagon